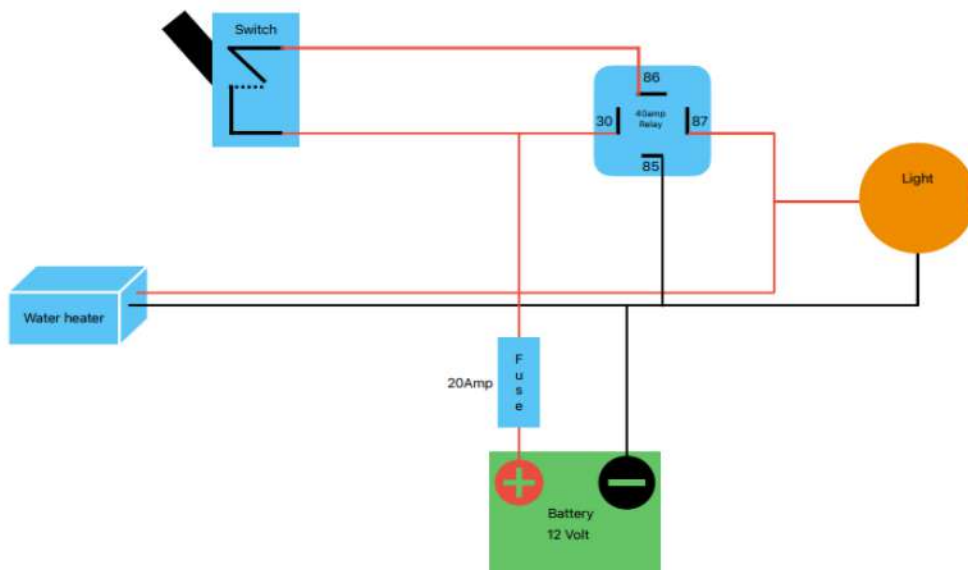


# Wiring Guidelines for the 12 V Water Heaters

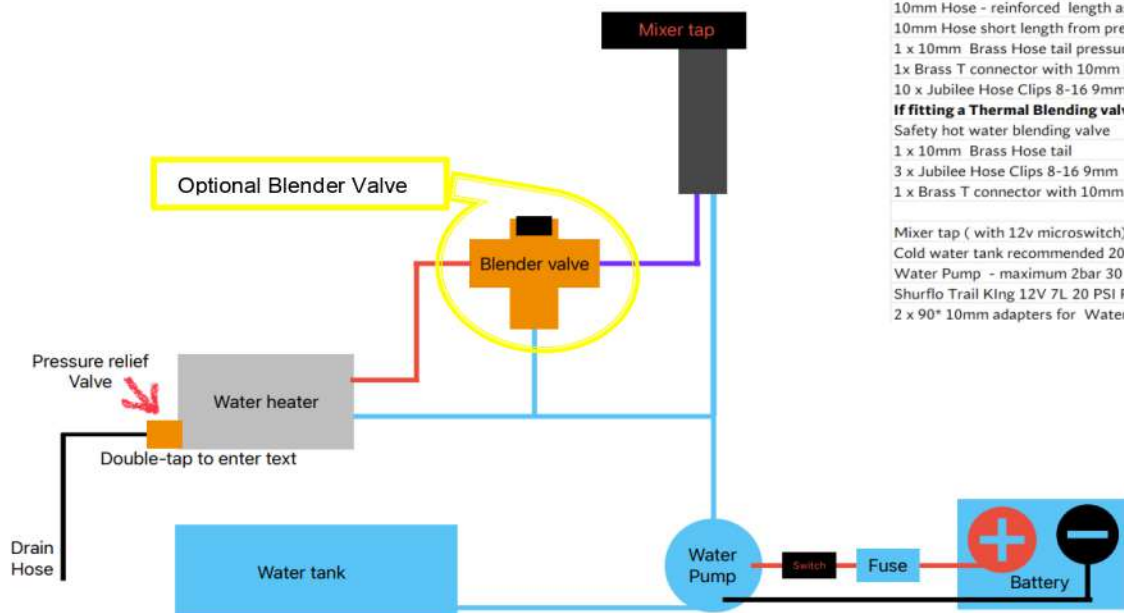
Installation of an LED light is optional, you might alternatively choose to install an illuminated switch.



- 12V Installation - Suggested requirements**
- Twin Core Multistrand Cable 21amp (2.5mm square or 4mm diameter)
  - Length to suit your installation - Approx 6 metres
  - 1 Switching Relay 40 amp 12v relay
  - Terminals
    - 2 x male 2 x female heater,
    - 4 x female to relay,
    - 1 x female/male piggy back to relay,
    - 1 x male 1 x female fuse,
    - 3 x blue female to switch
  - Total 10 female, 2 males 1 piggy back
  - 2 negative 2 positive Ring terminal to battery
  - 20 amp Fuse and Fuse holder
  - Switch with indicator light
  - Optional LED Light ?

# Plumbing Guidelines for the Water heaters

Use and installation of the Blender valve is optional, however we strongly recommend one if you have any concerns about hot water safety. It is essential to use one when installing the Air Combi units as the maximum water temperature is not automatically controlled.



**Water Heater Installation Suggested Requirements**

- Dependant on Water installation you have already!
- 10mm Hose - reinforced length as required
  - 10mm Hose short length from pressure release valve
  - 1 x 10mm Brass Hose tail pressure release valve
  - 1x Brass T connector with 10mm hose tail
  - 10 x Jubilee Hose Clips 8-16 9mm
  - If fitting a Thermal Blending valve**
  - Safety hot water blending valve
  - 1 x 10mm Brass Hose tail
  - 3 x Jubilee Hose Clips 8-16 9mm
  - 1 x Brass T connector with 10mm hose tail
  - Mixer tap ( with 12v microswitch)
  - Cold water tank recommended 20L or more!
  - Water Pump - maximum 2bar 30 PSI
  - Shurflo Trail King 12V 7L 20 PSI Pump
  - 2 x 90° 10mm adapters for Water Pump