

Jabsco

a xylem brand

Technical Data Sheet Par-Max Series Freshwater Delivery Pump Model: 31395-2524-3A

This document provides technical information relating to this specific Jabsco model. General information, references and further resource locations are also included.

Jabsco pumps are designed to be durable and high-performing – capable of providing years of satisfactory service in a variety of marine applications.

Features -

- Enclosed motor
- Integrated Pressure Switch
- Vibration & Noise reducing mounting
- Self-priming
- Runs Dry without Damage



Contents -

| | |
|------------------|--|
| Pump Unit: | PARMAX 3 24V 3GPM 25PSI (PARMAX 3 24V 11LPM 1.7BAR) |
| Port Fittings: | 2 x 1/2" (13mm) Straight Hosebarb |
| Strainer: | Inline Quick Connect; 40 Mesh |
| Trigger Nozzle: | Not applicable |
| Adapter 1: | Not applicable |
| Adapter 2: | Not applicable |
| Hosecoil: | Not Applicable |
| IOM: | Included (PN 81000475) |
| Carton Type: | 4 Color Aftermarket |
| Master Pack Qty: | 6 |

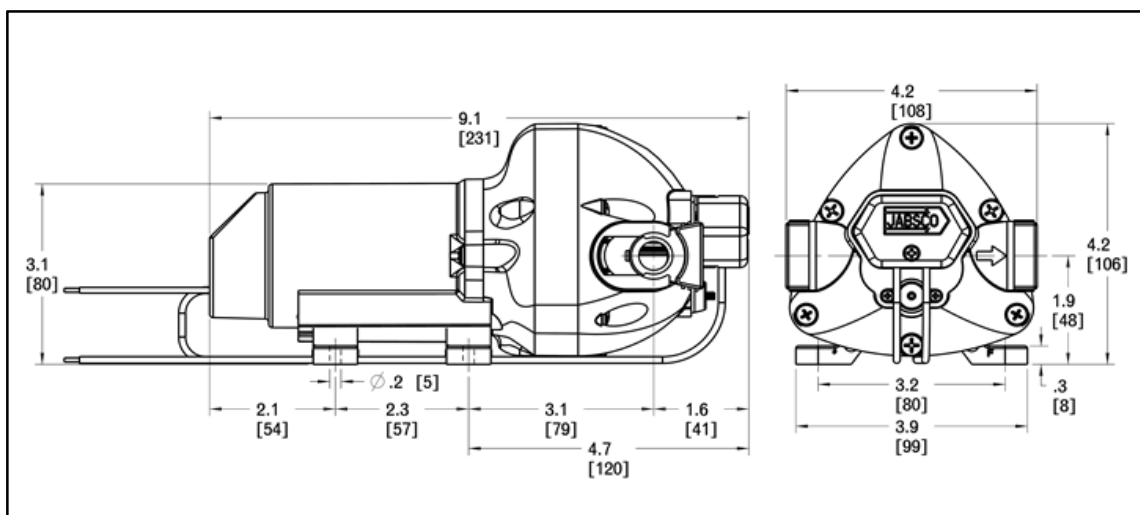


Dimensional Drawing -

Notes:

Inches [mm]

Additional envelope space required to allow port clips to extend, wires to bend, port fittings and hoses, etc.



Specifications

General -

| | |
|--------------------------|--|
| Part Number: | 31395-2524-3A |
| Aftermarket replacement: | 31395-2524-3A |
| Replaces: | 31395-0294 |
| (closest matches) | |
| Application: | Marine Water Pressure System |
| Design: | 3 Chamber Diaphragm Quick Connect Ports TENV Permanent Magnet Motor Noise Dampening Baseplate Thermal Motor Protection (TCO) |

Hydraulic Performance (at nominal voltage) -

| | |
|--------------------------|----------------------------|
| Open Flowrate: | 3 GPM open flow (11.3 LPM) |
| Pressure Switch Cut-Off: | 25 PSI (1.7 BAR) |
| Max Operating Pressure: | 25 PSI (1.7 BAR) |
| Max Inlet Pressure: | 30 PSI (2.1 BAR) |
| Internal Bypass: | Yes |
| Fluid Temperature Range: | 32F - 140F (0C - 60C) |
| Self-Priming Capability: | Up to 10ft (3m) dry prime |
| Run-Dry Capable: | Yes |

Compliance -

| | |
|------------------------------|--------------|
| CE: | Yes |
| RCM: | Yes |
| ISO 8846 Ignition Protected: | Yes |
| Country of Origin: | China |
| HTS Code: | 8413.50.0050 |

Materials (*designates wetted path) -

| | |
|------------------------|---------------------------------------|
| Upper Housing*: | Fiber reinforced polypropylene |
| Lower Housing: | Fiber reinforced polypropylene |
| Check Valve Retainer*: | Polypropylene |
| Diaphragm*: | Santoprene |
| Check Valves*: | EPDM |
| Switch diaphragm*: | EPDM |
| Bypass Diaphragm*: | EPDM |
| PH Seals*: | EPDM |
| PH Fasteners: | Stainless Steel |
| Baseplate: | N/A - slide in rubber feet |
| Motor Casing: | Enclosed in protective plastic casing |

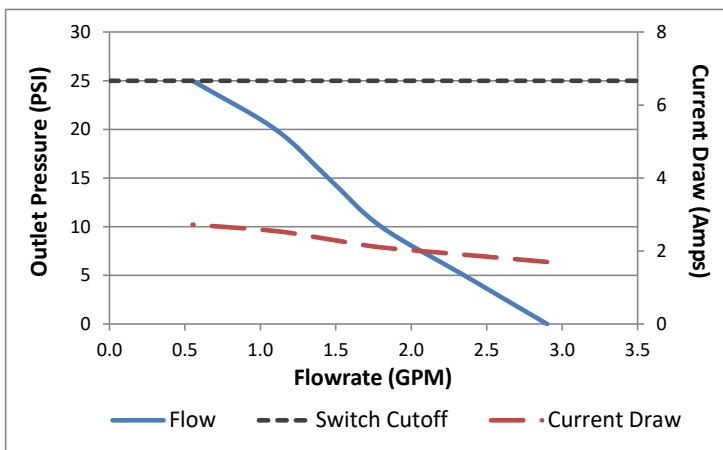
Electrical Performance (at nominal voltage) -

| | |
|-------------------|---|
| Nominal Voltage: | 24 VDC |
| Voltage Range: | 18 VDC - 27.2 VDC |
| Max Current Draw: | 3 Amps @ 25 PSI (1.7 BAR) |
| Fuse Size: | 5 Amps (not included) |
| Duty Cycle: | Intermittent (See heat-rise chart) |
| Leads: | 12" (305mm), 16 AWG (1.5mm ²) |
| Wire Connection: | Stripped Wire |

Other Information -

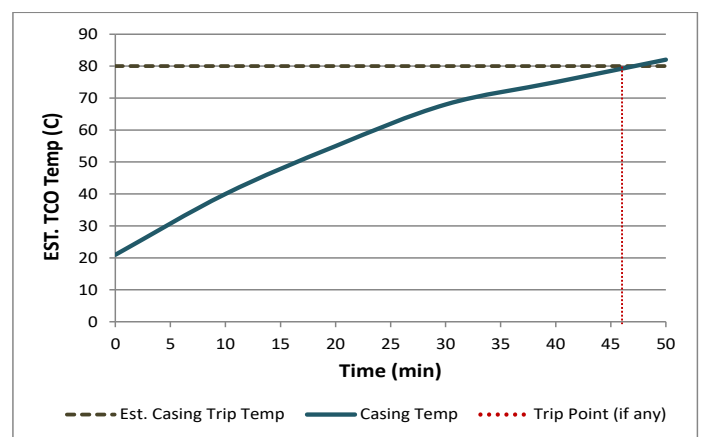
| | |
|-------------------------|-----------------------------|
| Operating Environment: | Marine |
| Ambient Temp Range: | 32F - 140F (0C - 60C) |
| IP Rating: | IPX6 |
| Carton Dimensions: | 15.5x6x5.5" (394x152x140mm) |
| Master Pack Dimensions: | 19x16x12" (483x406x305mm) |
| Pump Weight: | 3.2 lbs (1.5 kg) |
| UPC Code: | 671880841795 |

Flowcurve -



Representative curve of unit operated at nominal voltage
Performance will vary somewhat unit to unit
Switch cut-off represents the point on the flowcurve at which the integrated pressure switch will turn off the pump

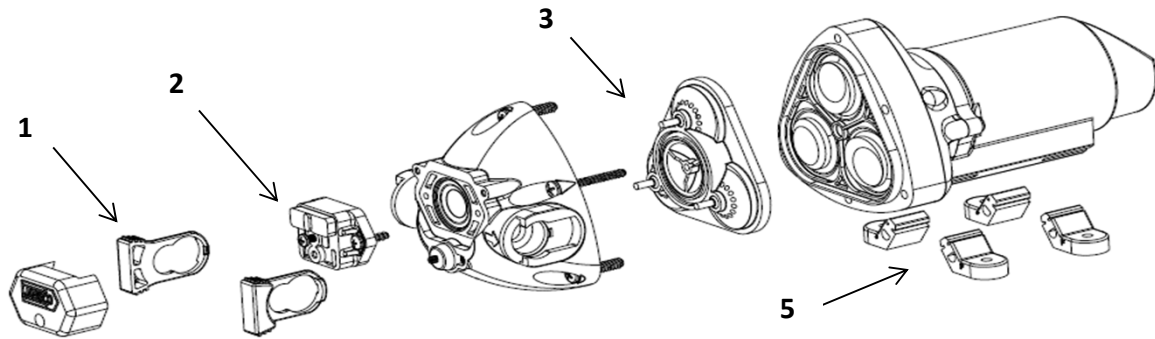
Heat-Rise -



Tested @ ambient temp of 70F (21.1C) @ max run pressure
Trip point shown is casing temp at time of TCO trip
If there is concern about the ability of the pump to run continuously for long periods of time then in-application testing is highly recommended.

Pump Service Kits & Spares

| Item | Part Number | Contents |
|-----------------------------|-------------|---|
| 1. Port Clips | 30647-1000 | 2 port clips per kit |
| 2. Switch Kit | 18916-1025 | Switch assembly, cover, and switch diaphragm |
| 3. Check Valve Assembly | 20407034 | Check valve housing with suction and discharge check valves installed |
| 4. Diaphragm/Drive Assembly | Not offered | N/A |
| 5. Baseplate/Mounting Feet | 20717001A | Rubber mounting feet (qty 4) |



Accessories (see website for further info)

| Item | Kit PN | Description | Notes |
|--|-------------|-------------------------------------|---|
| Washdown Trigger Nozzles | 30703-1000 | Regular | Quick release interface, includes EU & US Adapters |
| | 30703-1001 | Deluxe (built-in flow adjustment) | Quick release interface, includes EU & US Adapters |
| Washdown Trigger Nozzle Hose Adapters | 34012-8001 | US Garden Hose Thread | 3/4" Female GHT Adaptor for trigger nozzle |
| | 98022-0001 | Crimp (EU Style) | Adapts trigger nozzle to crimp onto a hose |
| Washdown Hose Coils | 31910-1225 | Regular | 25' x .35" ID (6.2m x 9mm) Hosecoil |
| | 31910-1226 | Deluxe (Heavy duty/larger ID) | 25' x 1/2" ID (6.2m x 13mm) Hosecoil |
| Freshwater Delivery System Accumulator Tanks | 30573-0003 | 0.65 Liter tank, reinforced plastic | Used to smooth out flow, reduce cycling for freshwater water pressure systems. See website for more details. Do not use with variable speed |
| | 30573-0000 | 1 Liter tank, reinforced plastic | |
| | 18810-0000 | 2 Gal tank, coated steel | |
| Strainers (Required in all applications) | 46400-0030 | In-line, Bayonet style, QC | QC = Quick Connect Place before inlet of the pump so as to filter the incoming water and protect the check valves and pressure switch from getting clogged Other options available available as well. See website for more detail. |
| | 46400-9500 | 90 degree 3-5 GPM QC | |
| | 46400-0711 | 90 degree 6 GPM QC | |
| | 46400-0003 | In-line, 3/8" Hosebarb | |
| | 46400-0002 | In-line, 1/2" Hosebarb | |
| | 46400-0000 | In-line, 3/4" Hosebarb | |
| Port Fittings | 1877K-2222S | 2-5 GPM Models: 1/2" Hosebarb | Part numbers listed are straight port configuration Quantity 2 per except GHT GHT = Garden Hose Thread (qty 1) Threaded = NPS Threads For 90 degree Elbow models replace the S with an E Not all models have 90 degree equivalents |
| | 1877K-2242S | 2-5 GPM Models: 1/2" Threaded | |
| | 1877K-3222S | 2-5 GPM Models: 3/4" Hosebarb | |
| | 1877K-3211S | 2-5 GPM Models: 3/4" GHT | |
| | 1877K-3242S | 6 GPM Models: 1/2" Threaded | |
| | 1877K-3322S | 6 GPM Models: 3/4" Hosebarb | |
| | 1877K-3311S | 6 GPM Models: 3/4" GHT | |
| Washdown Deck Fitting | 31911-0000 | Stainless Steel Deck Fitting | Quick release mount for washdown hose on deck |
| Aquaflita (water pressure systems) | 59000-1000 | Freshwater filtration system | EU only |
| | 59000-0000 | Replacement cartridge | EU only |

Marine Application Notes

Washdown -

Used for on-demand spray to clean anchors, buoys, fishing areas, etc. Typically the higher the flow and the higher the pressure the better. Sometimes used with a Y valve to serve a dual purpose of livewell circulation. Common accessories include strainers, trigger nozzles, hoses, and deck mount fittings. Sometimes plumbed off of the livewell inlet to reduce number of thru-hull fittings.

Freshwater Delivery Pumps -

Installed to provide on-demand flow and pressure of freshwater to galleys, showers, washing machines, etc. Typical rule of thumb for sizing is 1 GPM per outlet. 40-60 psi (2.8 - 4.1 Bar) options provide similar pressure to that in a home on land. These pumps are equipped with a bypass which enables smoother flow and decreases cycling. Common accessories include strainers, water pressure inlet regulators, and accumulator tanks.

Shower-Drain/Livewell/General Purpose -

These pumps are configured without a pressure switch and are used for a variety of different purposes including removal of drain water from showers or the circulating/transfer of water in bait tanks.

Auxillary Bilge/General Purpose -

Configured without a pressure switch and also with elastomers specifically chosen to provide greater chemical compatibility and protection against fluids such as diesel fuel and motor oils.

Available Jabsco Options

In addition to the unit described in this data-sheet Jabsco also offers the following configurations (will vary somewhat by region) and options to suit above applications:

| | |
|-----------------------|--|
| Voltages: | 12 & 24 VDC options (for AC options please lookup Flojet products) |
| Flowrate Range: | 1 - 6 GPM (3.8 - 22.7 LPM) |
| Switch Setting Range: | 25 - 70 PSI options (1.7 - 4.8 Bar) |
| Pump Configurations: | Washdown ("kit" versions include a hose-coil) Freshwater Delivery Pumps Shower-Drain/Livewell/General-Purpose Pumps Bilge/General Purpose Pumps |
| OEM/Special Options: | We can configure specific product or kitting levels upon request. Minimum annual volume requirements will apply. Please send us an enquiry and we will evaluate. |

Installation and Operation

For guidance on proper installation and operation of this pump, as well as for any warnings or cautions involving use, please consult the appropriate IOM for the pump. Printed IOM's are supplied with the pumps and are also available online..

Resources & Contact Information

| | | | |
|-----------|------------------------------------|-------------------|--|
| IOM: | On website; hard copies with pumps | Customer Service: | Refer to contact info at bottom of page |
| Warranty: | Information included in IOM | Website: | www.xylem.com/Jabsco |

Note: JabscoShop.com, can be a good resource to purchase direct items such as low use replacement parts. However, the best way to find our product is through our extensive and knowledgeable network of distributors, dealers, and retailers.

Note: Specifications provided for guidance only. We reserve the right to change specifications without prior notice.

USA 17943 Cowan, Irvine, CA 92614
Tel: +1 949 608 3900

JPN 3-21-10, Shin - Yokohama Kohoku-ku, Yokohama 222
Tel: +39 039 685 2323

UK Bingley Road, Hoddesdon, Herfordshire, EN11 0BU
Tel: +44 (0) 45 475 8906

IT Via Tommaseo, 6, 20059, Vimercate, Milano
Tel: +39 (0) 39 685 2323

DE Oststrasse 28, 22844 Norderstedt
Tel: +49 (0) 40 535373-0

AU 2/2 Capicure Dr, Eastern Creek NSW 2766
Tel: +61 2 9832 6200

PN: DS3139525243A
REVISION: 9/28/2020

www.xylem.com/jabsco

