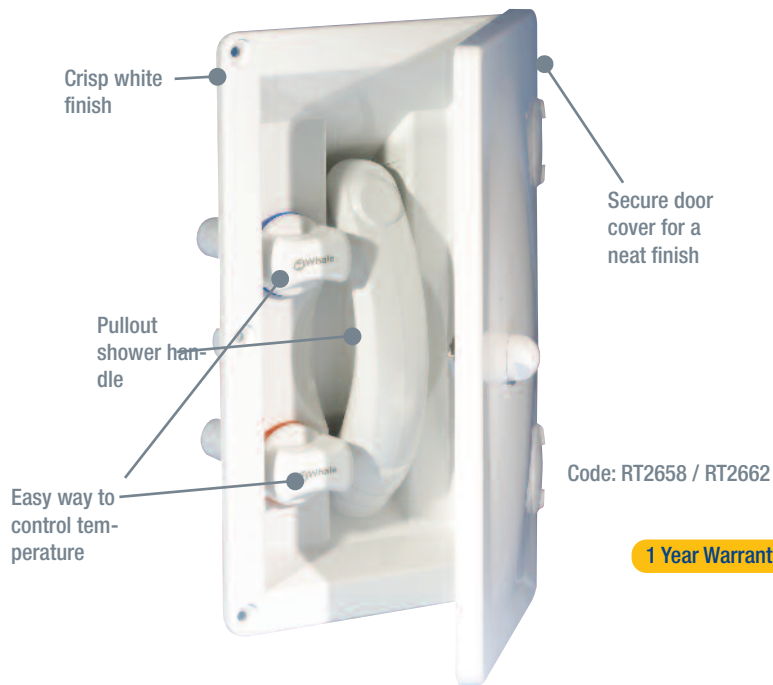


Swim 'n' Rinse External Shower

Mixer Shower Designed For External Use

- For easy washdown outside the motor home
- Handset design allows water to be set to the desired temperature and closed minimising water wasted
- Hinged cover provides a neat finish to the unit (lockable cover version also available)
- Connects directly to Whale Quick Connect 15 mm plumbing see page 59
- Mounting hole 125 mm (4 15/16") X 250 mm (9 7/8")

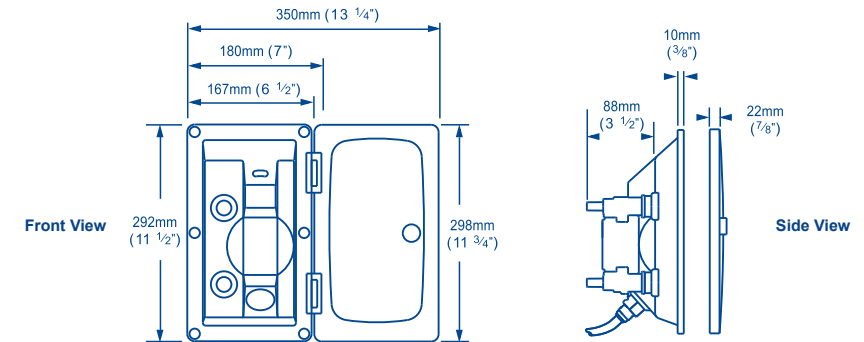


1 Year Warranty

Product Information

Model Specifications

Model	Cold Only (no cover)	Cold Only (cover included)	Hot and Cold Mixer (no cover)	Hot and Cold Mixer (lockable cover included)
Product Code	RT1648	RT1649	RT2648	RT2662
Colour	White			
Base Plate	167 mm (6 1/2") X 292 mm (11 1/2")			
Depth Beneath Surface	88 mm (3 1/2")			
Hose Connections	1/2" Male Threaded (BSP / NPT)			
Connection to Quick Connect 15 mm Plumbing	WX1532 - Adaptor Female 1/2" - 15 mm			
Hose Length	2.1 m (7 ft)			
Service Kits	AS5123 Combo handset white - AS5122 Tap / Shower Upgrade (see page 97)			



Tips

For guide on winterisation see page 81



Ideal for

Use with Pressure Switch or Microswitch Systems

Please note: These taps are intended for use in freshwater systems in recreational vessels / vehicles only.