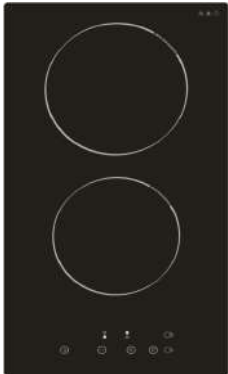


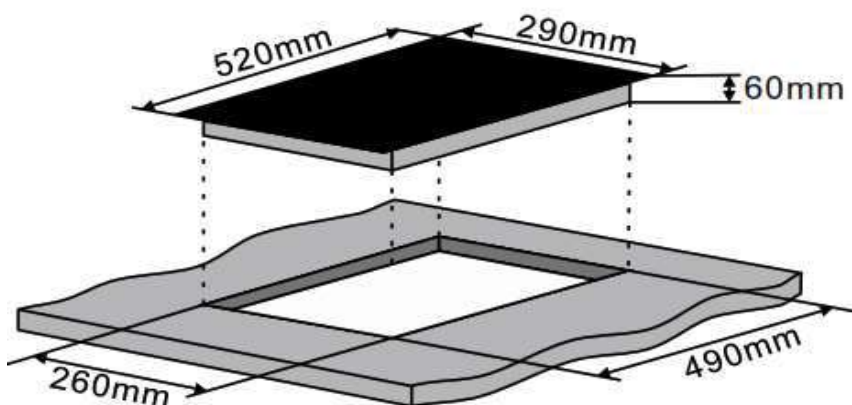
Appliance Data Sheet

Product Type	Electric Hob
Product Code	UBTC30FLC
	Product Description
	30cm White Ceramic Hob

Features / Specification

Barcode	8422248613545
Colour	Black
Hob Surface Material	Ceramic Glass
No of Cooking Zones	2
Heat Indicator Light	Yes
Timer	Yes
Child Safety Lock	Yes
Type of Control	Touch Control
Number of Power Levels	9
Keep Warm Function	No
Boost Function	No

Dimensions & Technical Information



Product Dimensions width x depth x height	90mm x 520mm x 65mm
Packed Dimensions width x depth x height	350mm x 590mm x 97mm
Product Weight (kg)	4.7 Packed / 4.2 Unpacked
Cut Out Dimension	260mm x 490mm
Max Power (kW)	3
Supply Connection	13A