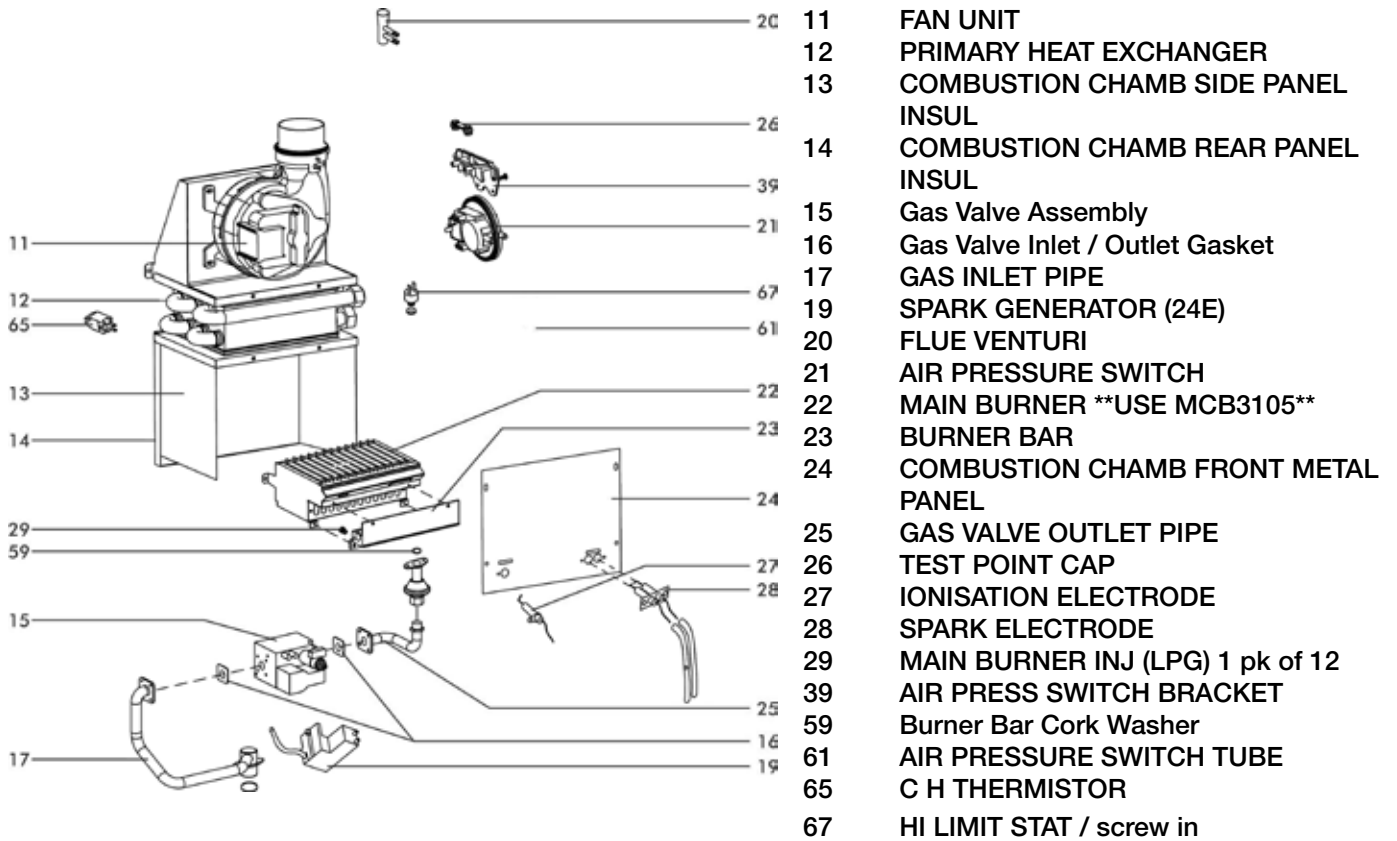
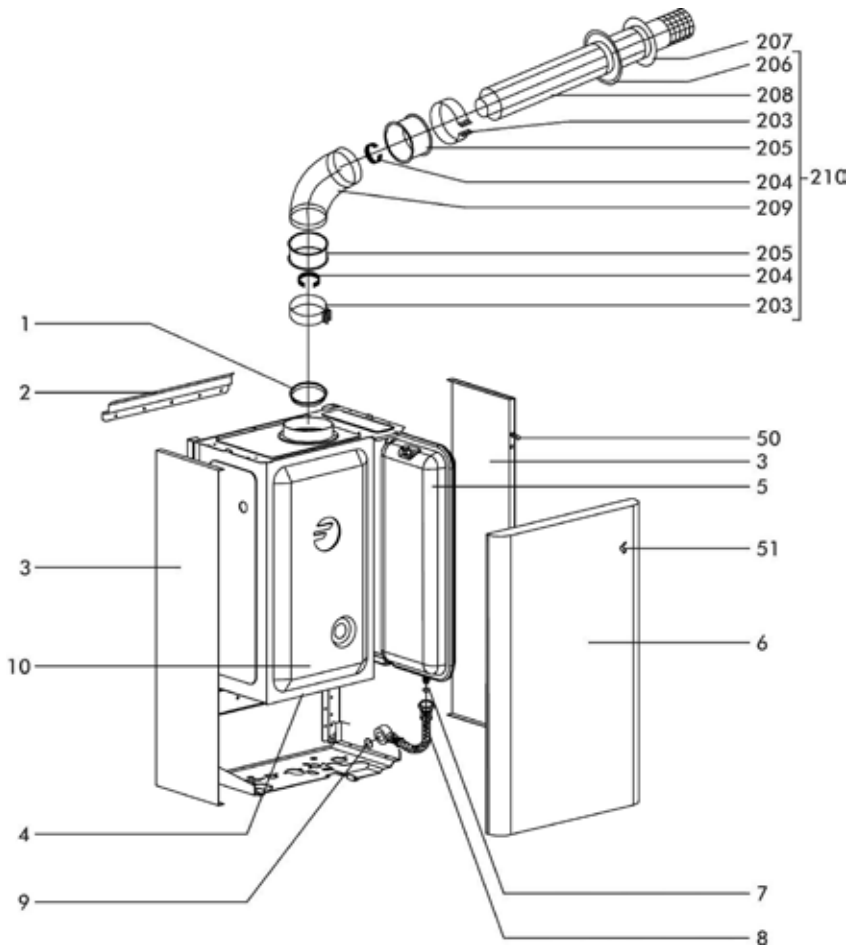


Morco FEB-24E Combustion Circuit



Morco FEB-24E

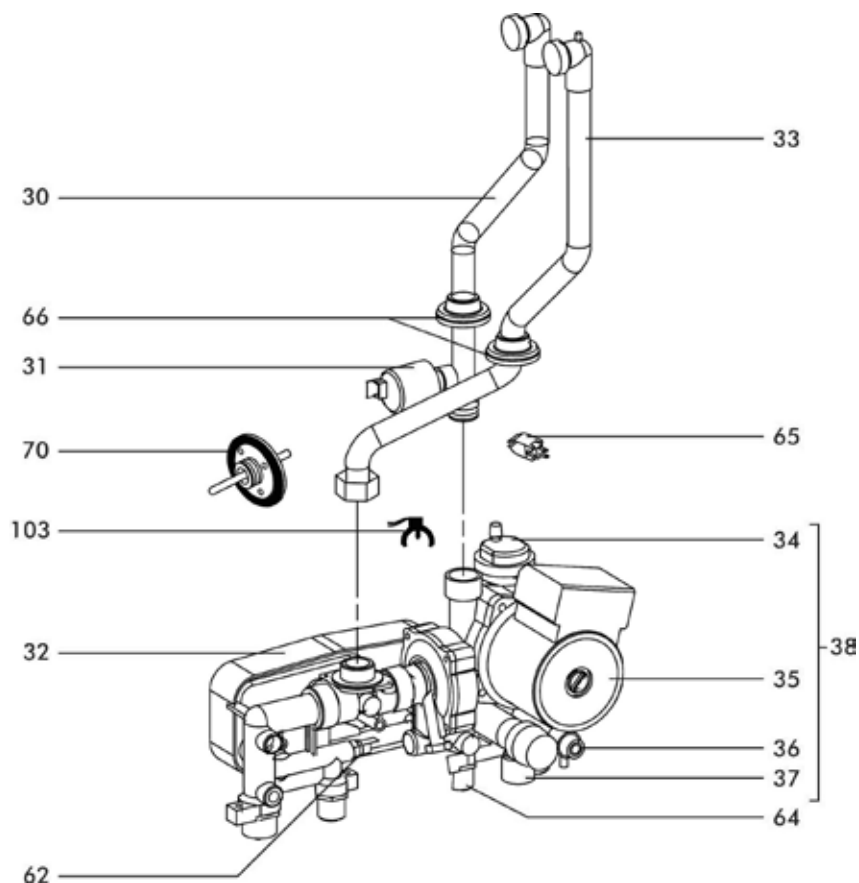
External Components



- 1 Air Restrictor Ring 80mm
- 2 Wall Fixing Bracket (FEB20 & 24)
- 3 SIDE PANEL
- 3 SIDE PANEL
- 4 Room Sealed Cover Repair Seal
- 5 EXPANSION VESSEL
- 6 FRONT PANEL
- 7 3/8" BSP Washer 10/PK
- 8 EXPANSION VESSEL PIPE
- 9 O RING (EXPAN VESSEL PIPE)
- 10 ROOM SEALED COVER
- 50 Front Cover Fastener
- 51 Captive Clip
- 204 RED 60mm Lip Seal
- 204 RED 60mm Lip Seal
- 204 RED 60mm Lip Seal
- 205 100mm Pipe Clamp Seal (Grey)
- 205 100mm Pipe Clamp Seal (Grey)
- 206 60/100 Int Wall Seal White Plastic
- 207 Flue collar. Aluminium. External.
- 210 +600mm 60/100 Horizontal Flue Kit

Morco FEB-24E

Water Circuit



- 30 CH RETURN PIPE
- 31 CH Low Pressure Switch
- 32 DHW HEAT EXCHANGER C/W WASHERS
- 33 C H FLOW PIPE
- 34 AUTOMATIC AIR VENT
- 35 PUMP HEAD - OBSOLETE
- 36 C H DRAIN VALVE
- 37 SAFETY VALVE
- 38 HYDRAULIC ASSEY COMPLETE
- 55 Diaphragm Spindle Repair Kit *OBS*
- 56 DIAPHRAGM AND SPINDLE KIT
- 62 Thermistor
- 64 FLOW RESTRICTOR
- 65 C H THERMISTOR
- 66 18mm Grommet
- 70 DIAPHRAGM - FEB24E/ED/3STAR
- 92 DIAPHRAGM HOUSING
- 93 HYDRAULIC ASSEMBLY REPAIR KIT
- 103 DHW MICRO SWITCH

Morco FEB-24E Control Panel

