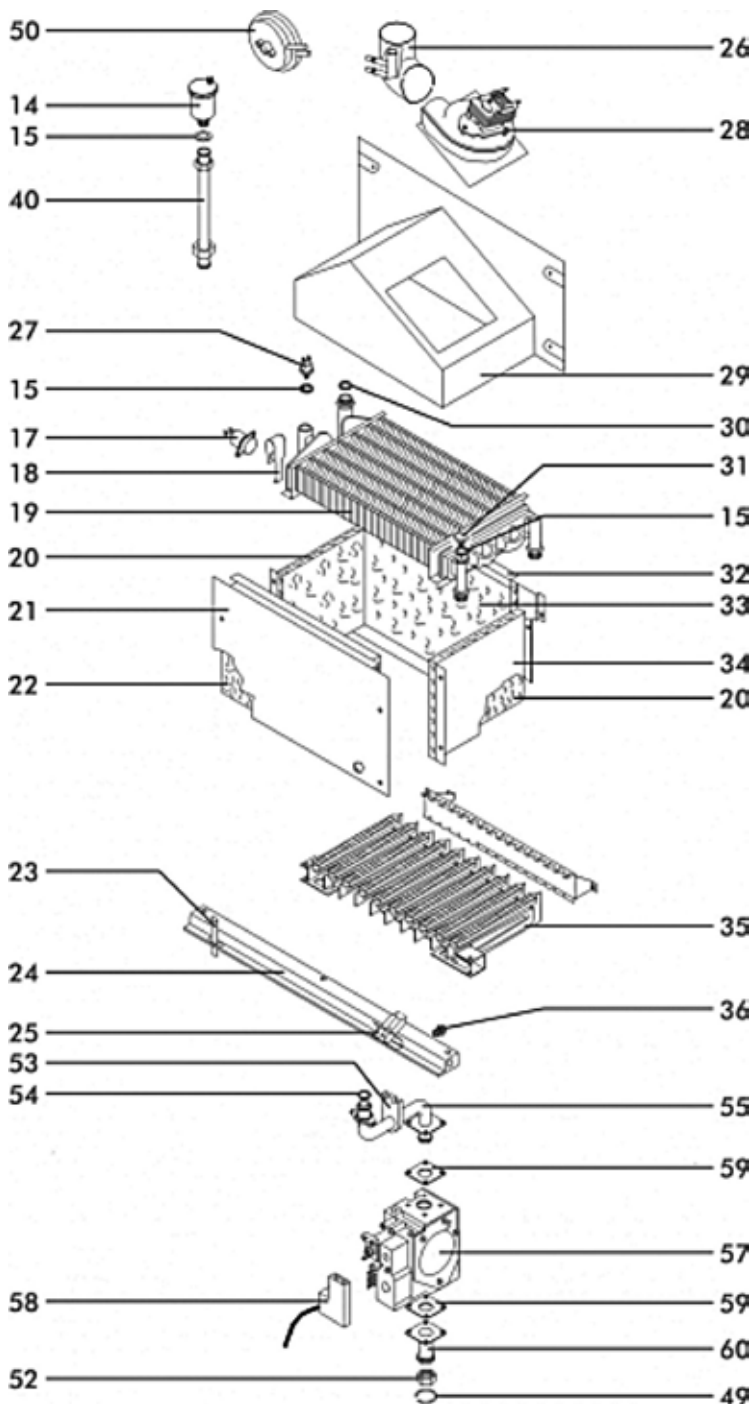


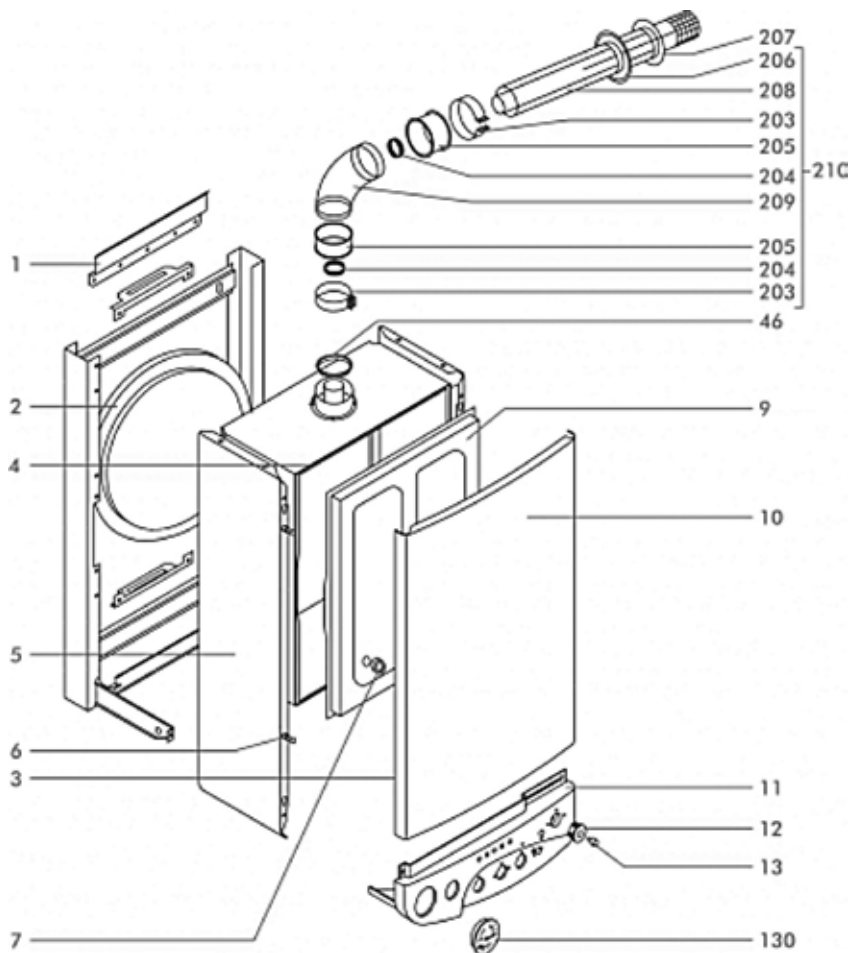
Morco FEB-20E Combustion Circuit



- 14 Automatic Air Vent
- 15 3/8" BSP Washer 10/PK
- 15 3/8" BSP Washer 10/PK
- 15 3/8" BSP Washer 10/PK
- 17 Hi- Limit Stat / clip on
- 18 FCB1090 Hi-Limit Stat Clamp
- 19 Heat Exchanger
- 20 Combustion Chamber Side Insulation
- 22 Combustion Chamber Front Insul
- 23 Ionisation Electrode
- 24 Burner Bar
- 25 Spark Electrode
- 27 Thermistor
- 28 Fan
- 29 Draught Diverter Obsolete
- 30 1/2" BSP Washer Each
- 31 Blanking Plug
- 32 Combustion Chamber Rear Panel
- 33 Combustion Chamber Rear Insulation
- 34 Combustion Chamber Side Panel
- 36 Main Brn Injector 19 per PK (LPG)
- 49 Spring Ring
- 50 Air Pressure Switch (Grey) 120/80
- 52 Gas Inlet Pipe Nut
- 53 Gas Pipe Grommet
- 54 BURNER BAR CORK WASHER 5 PACK
- 55 Gas Valve Pipe
- 57 Gas Valve Assembly
- 58 SPARK GENERATOR (24E)
- 59 Gas Valve Inlet / Outlet Gasket
- 59 Gas Valve Inlet / Outlet Gasket
- 60 Gas Inlet Pipe

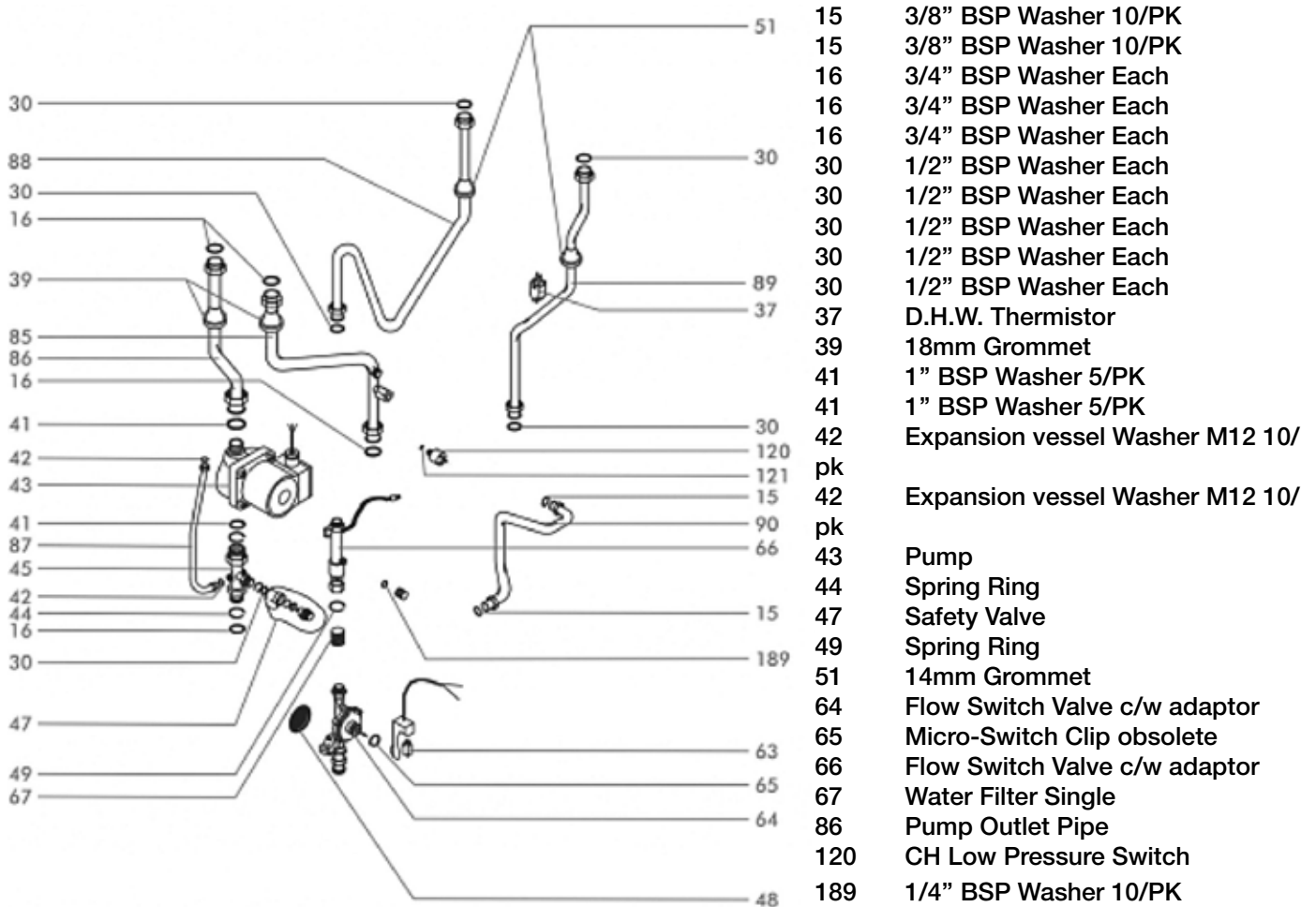
Morco FEB-20E

External Components



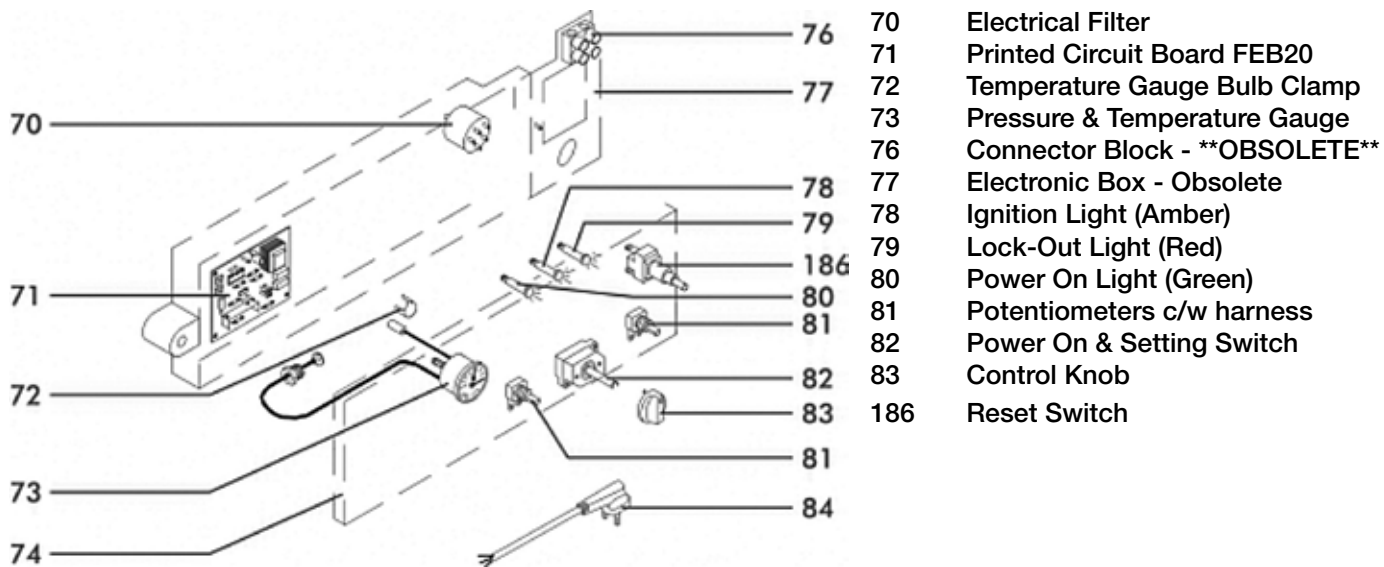
- 1 Wall Fixing Bracket (FEB20 & 24)
- 2 Expansion Vessel
- 3 Captive Clip
- 4 Room Sealed Cover Repair Seal
- 5 Side Panel
- 6 Front Cover Fastener
- 7 Room Sealed Cover Sight
- 9 Room Sealed Cover
- 10 Front Panel
- 11 Control Panel Bezel
- 12 Reset Button Support
- 13 Reset Button
- 46 Air restrictor ring 85mm
- 130 Time Clock
- 204 RED 60mm Lip Seal
- 204 RED 60mm Lip Seal
- 205 100mm Pipe Clamp Seal (Grey)
- 205 100mm Pipe Clamp Seal (Grey)
- 206 60/100 Int Wall Seal White Plastic
- 207 Flue collar. Aluminium. External.
- 210 +600mm 60/100 Horizontal Flue Kit

Morco FEB-20E Water Circuit



- 15 3/8" BSP Washer 10/PK
- 15 3/8" BSP Washer 10/PK
- 16 3/4" BSP Washer Each
- 16 3/4" BSP Washer Each
- 16 3/4" BSP Washer Each
- 16 3/4" BSP Washer Each
- 30 1/2" BSP Washer Each
- 30 1/2" BSP Washer Each
- 30 1/2" BSP Washer Each
- 30 1/2" BSP Washer Each
- 30 1/2" BSP Washer Each
- 30 1/2" BSP Washer Each
- 37 D.H.W. Thermistor
- 39 18mm Grommet
- 41 1" BSP Washer 5/PK
- 41 1" BSP Washer 5/PK
- 42 Expansion vessel Washer M12 10/
- 42 Expansion vessel Washer M12 10/
- 43 Pump
- 44 Spring Ring
- 47 Safety Valve
- 49 Spring Ring
- 51 14mm Grommet
- 64 Flow Switch Valve c/w adaptor
- 65 Micro-Switch Clip obsolete
- 66 Flow Switch Valve c/w adaptor
- 67 Water Filter Single
- 86 Pump Outlet Pipe
- 120 CH Low Pressure Switch
- 189 1/4" BSP Washer 10/PK

Morco FEB-20E Control Panel



- 70 Electrical Filter
- 71 Printed Circuit Board FEB20
- 72 Temperature Gauge Bulb Clamp
- 73 Pressure & Temperature Gauge
- 76 Connector Block - ****OBSOLETE****
- 77 Electronic Box - Obsolete
- 78 Ignition Light (Amber)
- 79 Lock-Out Light (Red)
- 80 Power On Light (Green)
- 81 Potentiometers c/w harness
- 82 Power On & Setting Switch
- 83 Control Knob
- 186 Reset Switch