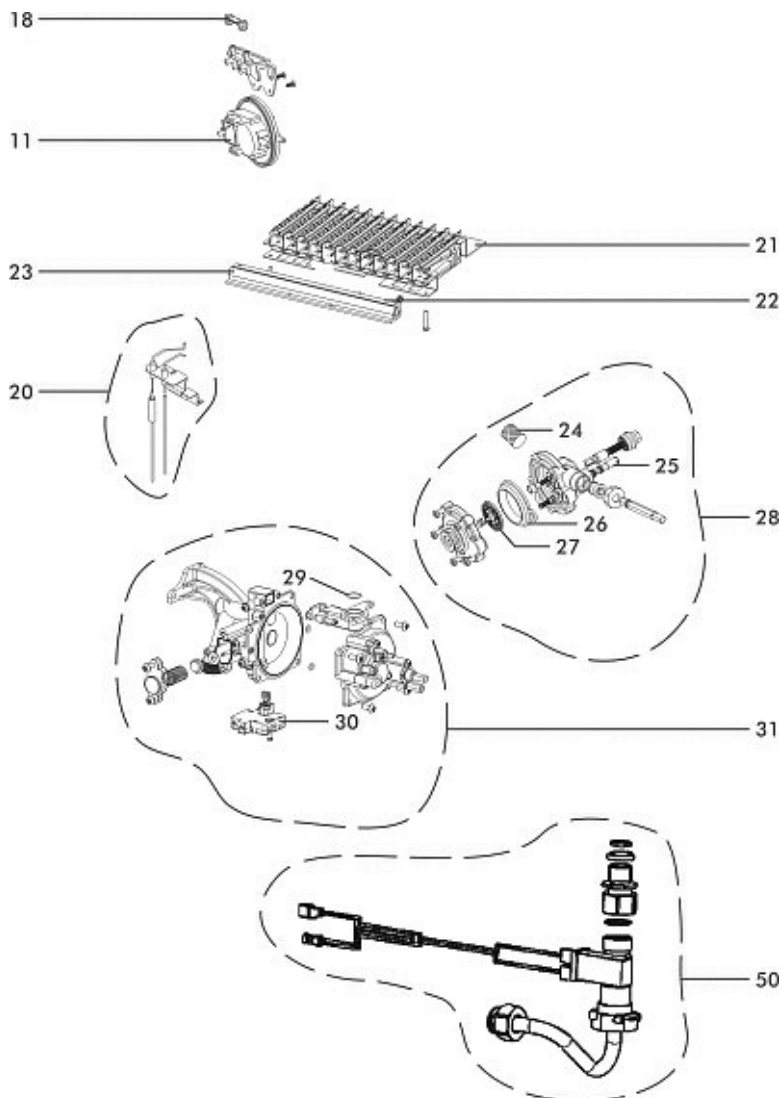


Morco F11E

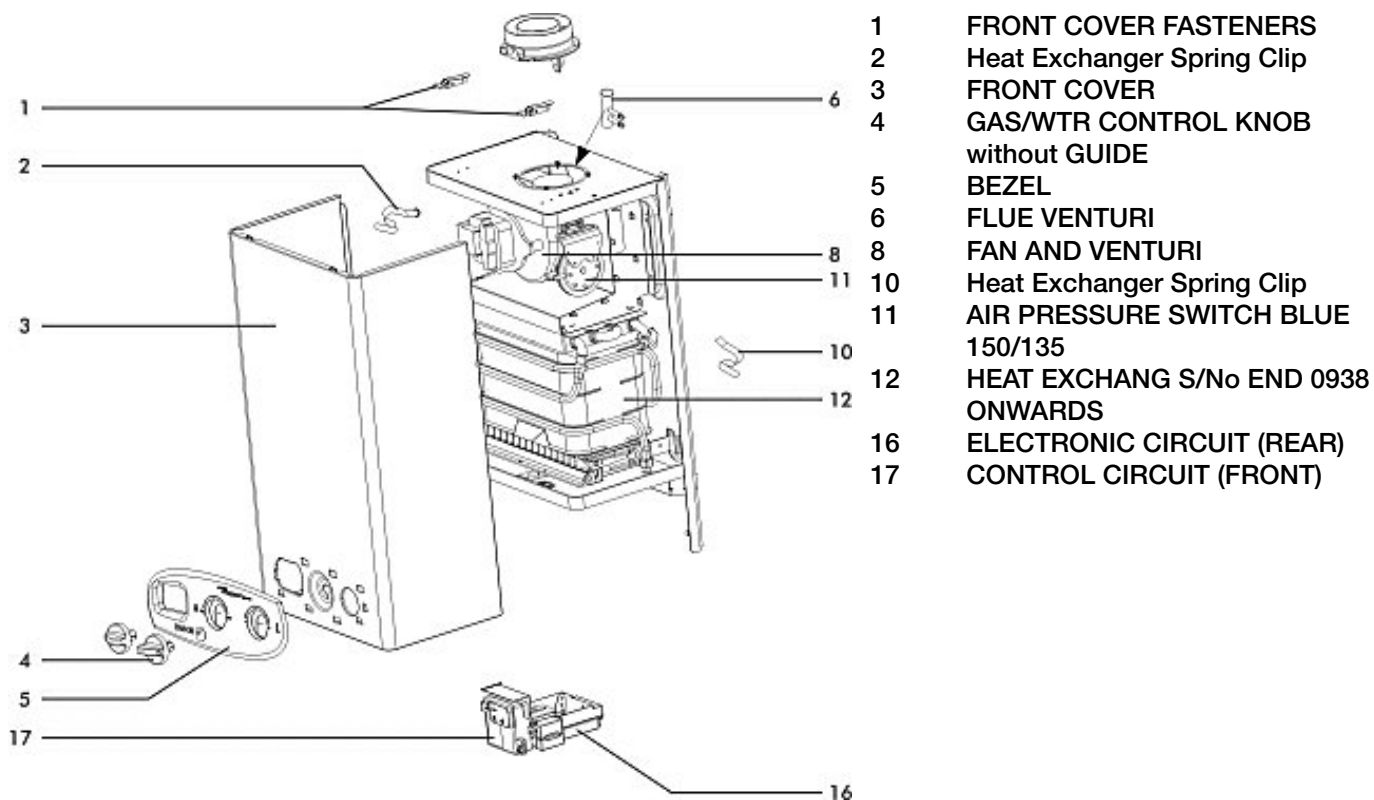
Gas & Water Assembly



- 0 AIR PRESSURE SWITCH BLUE 150/135
- 18 TEST POINT CAP
- 20 ELECTRODE 0937 onwards
- 21 MAIN BURNER
- 22 Main Burner Inj 6/PK (LPG)
- 23 BURNER BAR
- 24 WATER FILTER
- 25 WATER VENTURI
- 26 DIAPHRAGM - BRASS BODIES ONLY
- 27 PUSH ROD & DISC
- 28 WATER CONTROL ASSY COMPLETE OBS
- 29 BURNER BAR CORK WASHER 5 PACK
- 30 MICROSWITCH
- 31 GAS VALVE (LPG)
- 50 WATER FLOW SWITCH S/NOS 0938 ONWARD

Morco F11E

Major Components



- 1 FRONT COVER FASTENERS
- 2 Heat Exchanger Spring Clip
- 3 FRONT COVER
- 4 GAS/WTR CONTROL KNOB without GUIDE
- 5 BEZEL
- 6 FLUE VENTURI
- 8 FAN AND VENTURI
- 10 Heat Exchanger Spring Clip
- 11 AIR PRESSURE SWITCH BLUE 150/135
- 12 HEAT EXCHANG S/No END 0938 ONWARDS
- 16 ELECTRONIC CIRCUIT (REAR)
- 17 CONTROL CIRCUIT (FRONT)