

CI/SFB
(74)

Overview:

A comprehensive range of basins across three sizes. Featuring one and two tap holes variations as well as chain stay hole on two tap hole versions. These basins feature a raised lip and soap recesses.

Key product features:

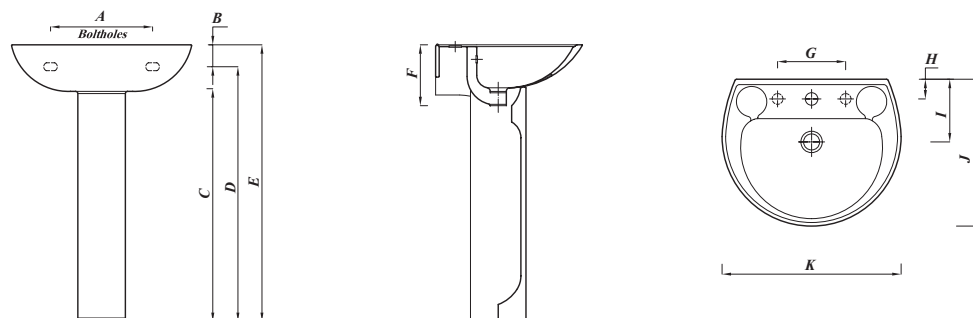
- Internal overflow
- Chrome effect overflow ring
- CE Compliant
- C shape design

Product:	45cm Basin	50cm Basin	55cm Basin
One tap hole code:	ASWH45BA1	ASWH50BA1	ASWHBA1
Two tap hole code:	ASWH45BA2	ASWH50BA2	ASWHBA2
Weight in kg:	8.9	9.5	12
Colour:	White		
Material:	Vitreous china		
Standard:	EN14688-CL10	EN14688-CL15	EN14688-CL00
DOP:	WBVC1	WBVC2	WBVC5
BiM download:	✓	✓	✓
CAD download:	✓	✓	✓
Full pedestals:	ASWHPE		
Semi pedestal:	NLGWSPE		
Wall mounted:	Brackets - BRACK / BRACK50* / BRACK55* / Bolts - FBWB		
Extras:	Bottle trap - BOTRAPCH / Waste - TPOPRNEW		



45cm basin with semi pedestal
ASWH45BA2 - NLGWSPE

Shown: 55cm basin on full height pedestal
ASWHBA1 - ASWHPE



Special notes

Use standard BRACK for standard installation

*Centre brackets available

Product dimensions:

Size	A	B	C	D	E	F	G	H	I	J	K
45cm	190	42	661	741	783	158	201	55	172	383	452
50cm	280	52	661	736	788	175	202	62	190	410	500
55cm	285	50	661	770	820	185	202	60	192	463	548

All dimensions are approximate and subject to normal ceramic variation.

Although every effort is made not to change the above product specification, Lecico reserve the right to do so without prior notification if necessary.