



Product Fiche

Supplier Name or Brand	Arada Ltd
Product Code	HARDY5M-S4
Energy Efficiency Class	A+
Direct Heat Output	5.0 kW
Energy Efficiency Index	108.3
The useful energy efficiency at nominal heat output and at minimum load	80.9%

Specific precautions that shall be taken when the local space heater is assembled, installed or maintained: *Product should be installed in accordance with local building regulations. Appliance will become very hot during use.*

Features

Flexifuel	No
Stove body type	Freestanding
Suitable for Smoke Control Areas	No
Suitable for direct air connection	No
Suitable for non-combustible 12mm hearth	Yes
Underhearth temperature	76.0 °C
Weight (packed kg)	41.5 Kg

Dimensions

Width	370 mm
Height	475 mm
Depth	333 mm
Flue Diameter	102 mm
Added height when on stand	200 mm
Height to centre of rear flue	387 mm
Depth from back to centre of top flue	93.5 mm
Ideal log length	200 mm

Performance - Wood & Solid Fuel

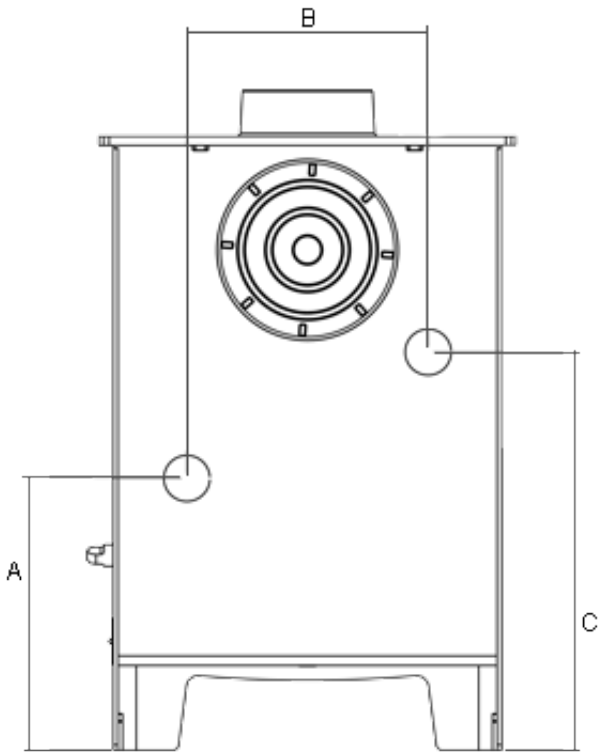
	Wood Fuel	Smokeless Solid Fuel
Energy Efficiency Class	A+	G
Nett Efficiency	80.9 %	%
Nominal Output	5 kW	kW
DIN+ particulate	Nmg/m3	Nmg/m3
Mean Co Emission(@13% O2)	0.58 %	%
Mean Co2 Emission(@13% O2)	%	%
Mean NOx Emission(@13% O2)	Nmg/m3	Nmg/m3
Mean OGC Emission(@13% O2)	Nmg/m3	Nmg/m3
Flue Gas Mass Flow	3.8 g/s	g/s
Flue Gas Temperature	279 °C	°C

Minimum Distance To Combustibles

To Rear	To Rear (twin wall)	To Side	Above
675 mm	mm	500 mm	306 mm

Boiler Tapping Measurements

Add In Boiler Tapping Measurements.
Rear view example shown. Not to scale.



A	B	C
211 mm	210 mm	321 mm

Optional Extras

Add-in Boiler - [AIB0]
Arada Ash Carrier - Small - [ARA016]
Arada Universal Stand - [STAND001]
Universal Stand/Log Store - [STAND003]