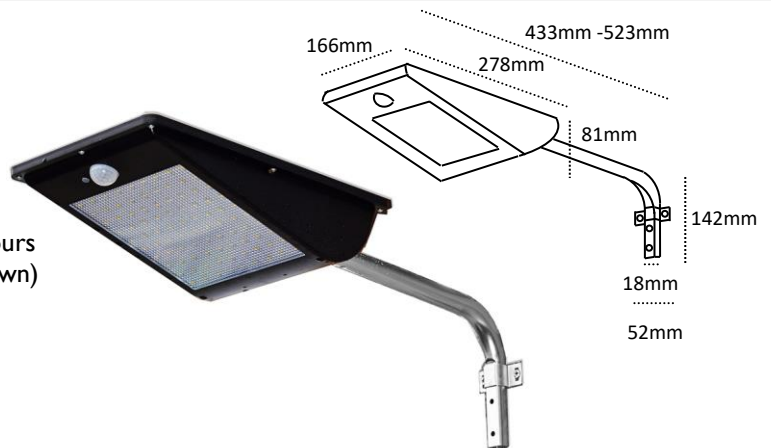


THANK YOU FOR YOUR PURCHASE
PLEASE READ THESE INSTRUCTIONS CAREFULLY PRIOR TO INSTALLATION / MAINTENANCE

SPECIFICATIONS

Wattage: 5-6w
Lamp: In-built LED x 81 (Taiwan Epistar 3825 SMD)
Colour Temperature: 6500K (Daylight White)
Lumen Output: 1000 lm
LED Life Expectancy: up to 50,000 hours
Max Illumination Time at Full Charge: up to 6 hours
Sensor: PIR (Motion Sensor) + Photocell (Dusk to Dawn)
PIR Distance: Up to 3m
PIR Sensor Delay Time: approx. 30 seconds
PIR Sensor Angle: 120 degrees
Battery Type: Lithium Ion – Lifespan up to 8 years
Battery Charge Time: 10 hours
Solar Panel: 6v * 8W Mono Solar Panel – Lifespan up to 5 years
IP Rating: IP65
Materials: Aluminium & Polycarbonate
Weight: 1230g (approx.)
Mounting: 2 x aluminium arms with surface mount bracket supplied (16cm & 26cm approx.)
Functions: Triple Function: 1) Full Power, 2) 30% Brightness with PIR Activation to Full Brightness, 3) PIR Only (power saving mode).



✓✓✓
3 YEAR
GUARANTEE
 see website for
 more details



WARNINGS



- If a fitting is found to be damaged, cease use immediately.
- The unit may get warm whilst on for a period of time.
- Always take care when installing your solar light, especially when mounting it in high places.
- Ensure the fitting is mounted out of range of head height to avoid injury.
- Fitting must be mounted to a solid surface
- The Freeway Solar Light will not charge correctly if the panel is behind glass or artificial light is used.

CLEANING & MAINTENANCE:

Occasional cleaning and care are recommended for this product. Wipe with a soft, slightly damp cloth to remove any surface dirt. To maintain efficiency, specifically clean the solar panel, LEDs and PIR on a regular basis. Also, keep the solar panel free of debris and snow to prevent reduced battery life or malfunction. Do not use abrasive cleaners or a lot of water as this could damage the fitting. Please refer to our website for more information on the best way to clean different materials.

RETURNS:

If purchased from a 3rd party, please contact your supplier. If purchased direct, contact us by phone or email:
 Lumena Lights Ltd, Centre 33 Long March, Daventry, NN11 4NR Tel: +44 1327 871161 Email: sales@lumenalights.com

Our full returns policy is available on our website.

Waste Electrical Products should not be disposed of with household waste. Please check with your local authority or contact us for more information. Please recycle packaging whenever possible.

Producer Registration Number: WEE/KC3440XY

Full product range & more information: www.lumenalights.com

FREEWAY 5 TECHNOLOGY:

The Freeway 5 is a highly efficient solar light with high capacity Lithium Ion batteries and a fast charging Mono Crystalline solar panel. This means that even on cloudy and rainy days, it will re-charge efficiently. The high battery capacity gives enough power for up to 4 nights when there is little light during the day. The 1000 lumen light output is bright enough to illuminate driveways and paths, making them safe to navigate at night.

INSTALLATION:

The Freeway 5 is designed to be mounted on a wall or wooden post at a height of 2-3m. The higher the light is mounted, the larger the illuminated area.

Location – It is important that the installation location is carefully considered, avoiding shady areas. The best position is south facing, however the light can work facing in other directions, especially when in full sunshine. The PIR must face the direction in which the motion is to be detected. Ensure there is no other lights which could interfere with the Sensors, imitating daylight.



1. To surface mount, select the desired length arm and clip the bracket onto the lower flat section, just below the curve.
2. Mark the holes of the bracket on the mounting surface.
3. Remove the fitting, drill out the holes and insert the wall plugs supplied (alternative mounting screws may be required depending on the surface).
4. Screw the bracket (attached to arm) with the screws provided, or alternatives. Additional screws can be used to secure further via the pre-drilled holes in the arm.
5. Attach the solar light to the arm with the 2 x M3 small socket screws and allen key provided (one screw on either side of the arm).



TIP: The Freeway can be surface mounted onto a 75mm or 100mm square post (fence posts). Alternatively, they can be mounted to metal fence supports (Metposts) using 2 x large jubilee clips. Posts are best concreted 300-400mm into the ground.

MODES / SETTINGS:

The Freeway can function in 3 different settings / modes, as well as an override “OFF” mode. All modes will only function during darkness / dusk.

MODE 1: Full Power for 5-6 hours of darkness, triggered by the Photocell (Dusk to Dawn Sensor) at approximately 25 Lux. Recommended for summer nights - continuous light for numerous hours in the evening. Time may reduce slightly depending on the battery charge level.

MODE 2: Low powered constant light from dusk (approx. 30% brightness), increases to full brightness for approx. 30 seconds when PIR triggered by movement. Great as a low-level safety feature throughout the night.

MODE 3: Standard PIR activation only. Full power when PIR activated by movement during darkness, otherwise off. Useful as a power saving mode

MODE: 4: Override - Light and Sensor OFF. Whilst in “OFF” Mode, the fitting will continue to charge but will not illuminate.

To switch between modes, follow the below guide to select the relevant setting after installation.

1. Press and hold the small, white button next to the PIR Sensor for a few seconds. The LEDs will flash once, indicating that Mode 1 has been selected (Constant Full Power).
2. Press and hold the button for a second time and the LEDs will flash twice, indicating that Mode 2 has now been selected (PIR 50% < 100% Brightness).
3. Press and hold the button for a third time and the LEDs will flash twice, indicating that Mode 3 is now in play (PIR Only – Full Brightness).
4. To override the PIR sensor and turn the fitting off, press and hold the button for a fourth time. The LEDs and Sensor will then be turned off until a new mode is selected.

