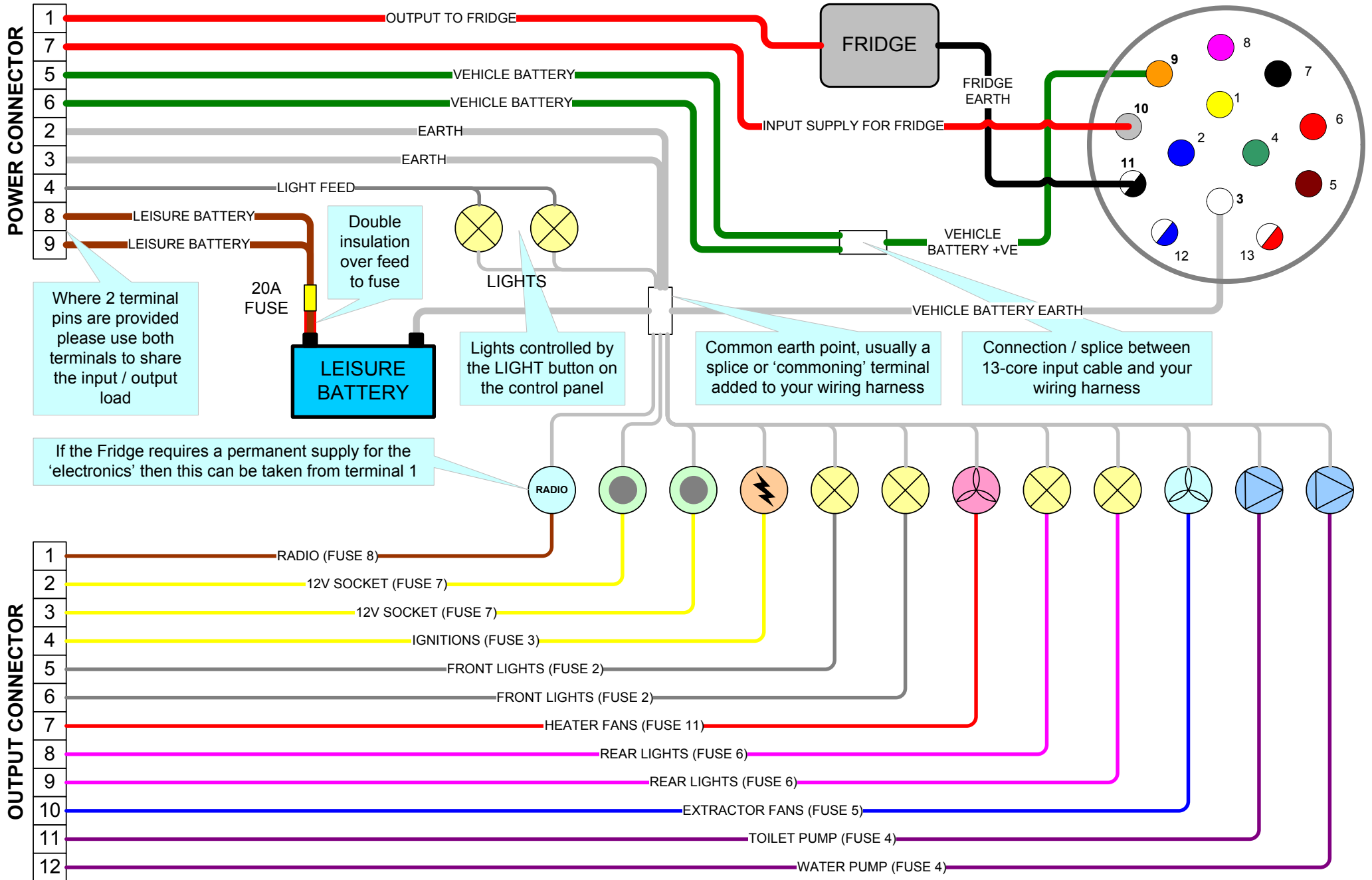


# 12v Installation – Basic harness available part PD3040-04



Where 2 terminal pins are provided please use both terminals to share the input / output load

Double insulation over feed to fuse

Lights controlled by the LIGHT button on the control panel

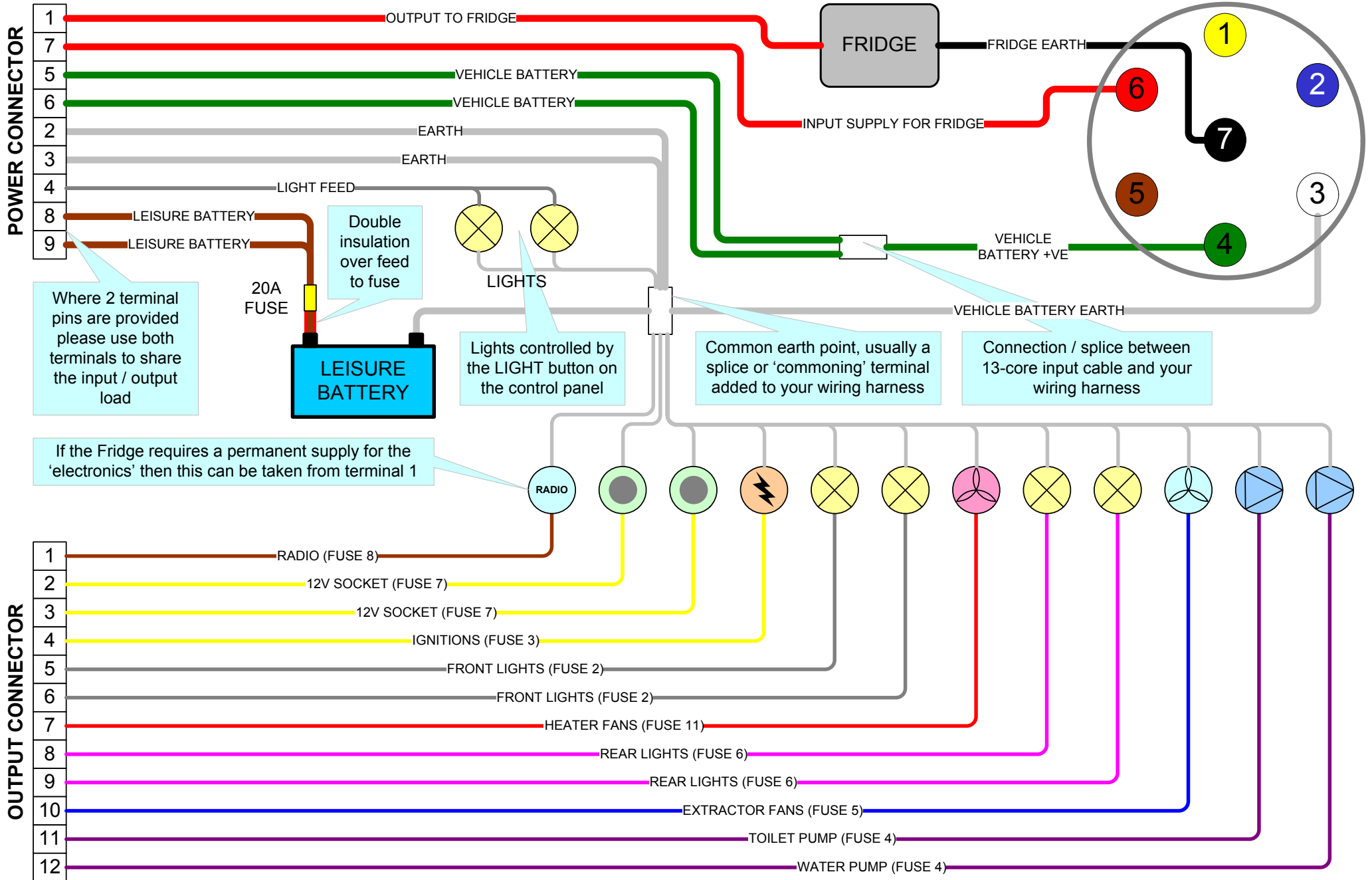
Common earth point, usually a splice or 'commoning' terminal added to your wiring harness

Connection / splice between 13-core input cable and your wiring harness

If the Fridge requires a permanent supply for the 'electronics' then this can be taken from terminal 1

Terminal 1 permanent supply. Terminals 2–11 are switched on / off by the control panel POWER button. Terminal 12 is controlled by the control panel PUMP button.

# 12v Installation – Basic harness available part PD3040-04



Where 2 terminal pins are provided please use both terminals to share the input / output load

Double insulation over feed to fuse

Lights controlled by the LIGHT button on the control panel

Common earth point, usually a splice or 'commoning' terminal added to your wiring harness

Connection / splice between 13-core input cable and your wiring harness

If the Fridge requires a permanent supply for the 'electronics' then this can be taken from terminal 1

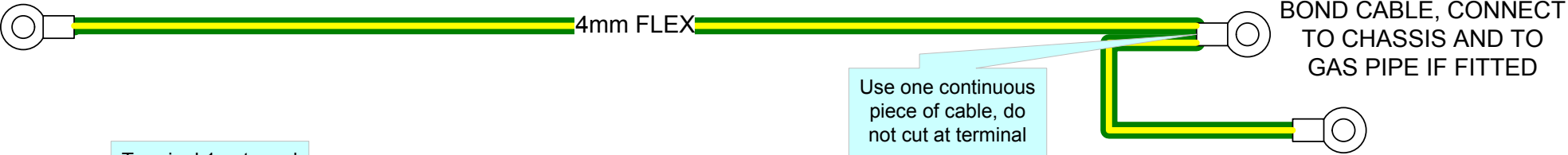
Terminal 1 permanent supply. Terminals 2–11 are switched on / off by the control panel POWER button. Terminal 12 is controlled by the control panel PUMP button.

12S Grey or White Connector



**230v Installation – Basic harness available part PD3041-04**

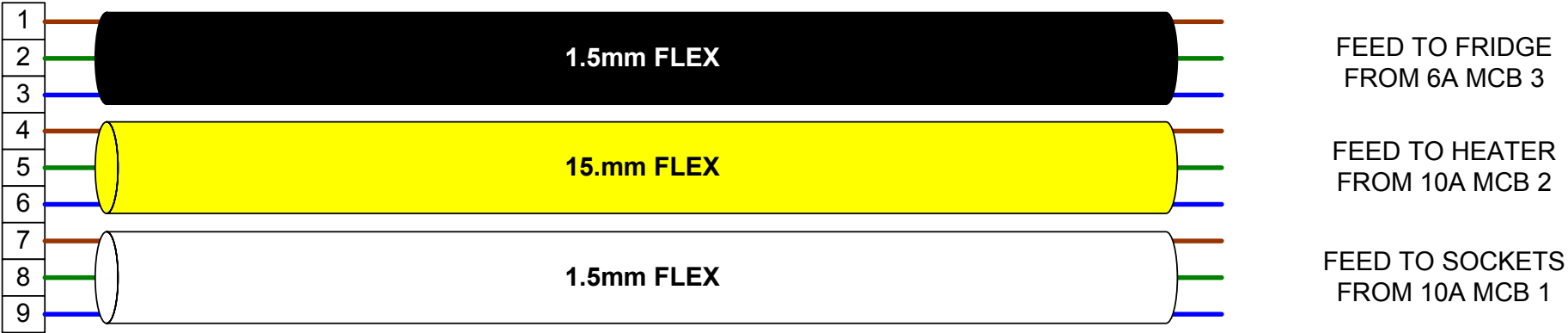
**EARTH BOND**



**230V INPUT**



**230V OUTPUT 1**



230v output connectors 1 & 2 are wired identical, you can use either connector or both depending on you wiring requirements

**230V OUTPUT 2**

