

ALCOR



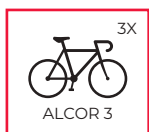
eBIKE



FATBIKE



ALCOR 2



ALCOR 3



TILTING SYSTEM



RAPID LOCK



Portabici da gancio con sistema di aggancio rapido, telaio in acciaio ad alta resistenza e profili in alluminio. Dotato di sistema di ribaltamento a pedale e di sistema antifurto. Adatto al trasporto di e-bike o fat bike. Disponibile in 2 modelli.

Towbar bike rack with quick fixing system, sturdy steel frame and large aluminium wheel rails. Equipped with a pedal tilting system and antitheft system. Suitable for e-bikes or fat bikes. Available in 2 models.

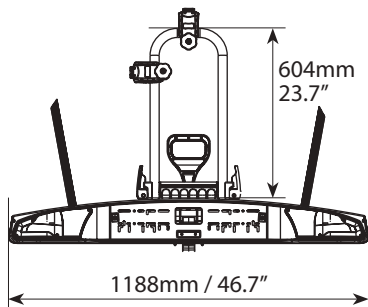


Alcor 2
Art.000113000000

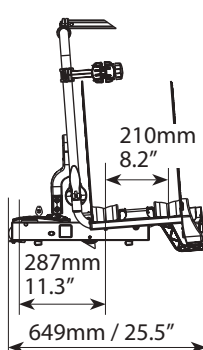


Alcor 3
Art.000112700000

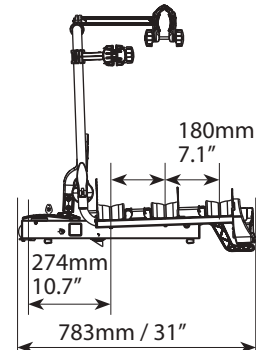
ALCOR 2 / ALCOR 3



ALCOR 2



ALCOR 3



Alcor 2	Art.000113000000	
Alcor 3	Art.000112700000	
Peso prodotto Product weight	Alcor 2	15,9kg/35lb
	Alcor 3	19,4kg/42.7lb
Materiale Material	Alluminio e acciaio Aluminium and steel	
Portata massima Max load	max 60kg / 132lb	
Antifurto portabici Anti-theft for the bike rack	✓	
Antifurto bici Anti-theft for the bike	✓	
Sistema di ribaltamento Tilting system	✓	
Fissaggio rapido al gancio traino Quick fastening to the tow bar	✓	
	Alcor 2	x2
	Alcor 3	x3
E-bike	✓	
Fat bike	✓	

Mod.	ALCOR 2	ALCOR 3
Art.N°	000113000000	000112700000
	L x W x H : 120x21,5x79 cm / 47.2x8.4x31.1"	L x W x H : 120x21,5x79 cm / 47.2x8.4x31.1"
	20 Kg / 44.1lb	22 Kg / 48.5lb
	L x W x H : 120x80x187 cm / 47.2x31.5x73.6"	L x W x H : 120x80x187 cm / 47.2x31.5x73.6"
	181 Kg / 399lb	197 Kg / 434.3lb
	Pz: 8	Pz: 8
Ean-13	8 003168 040156	8 003168 040095

COMPATIBILITÀ BICI / BIKE COMPATIBILITY

Mod.				
ALCOR 2 ALCOR 3	 min: 30mm/1.2" max: 50mm/2"	 min: 30x60mm/1.2x2.4" max: 50x70mm/2x2.7"	min 22" max 29"	max 110mm/4.3"
				max 1260mm/49.6"

F.lli Menabò s.r.l.

Via 8 Marzo 3,
42025 Cavriago (RE), Italy
+39-0522/942840
customer@flli-menabo.it
www.menabocaraccessories.com